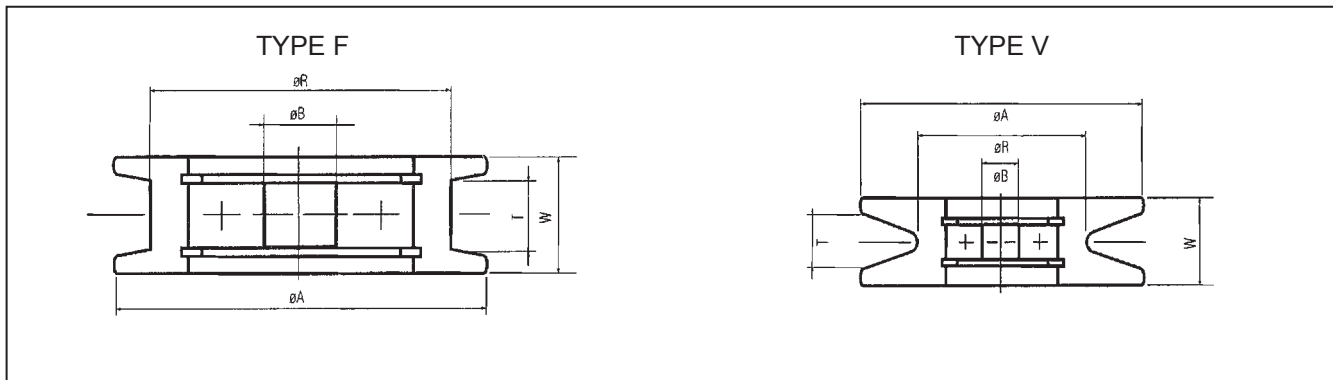


CERAMIC BEARING ROLLERS

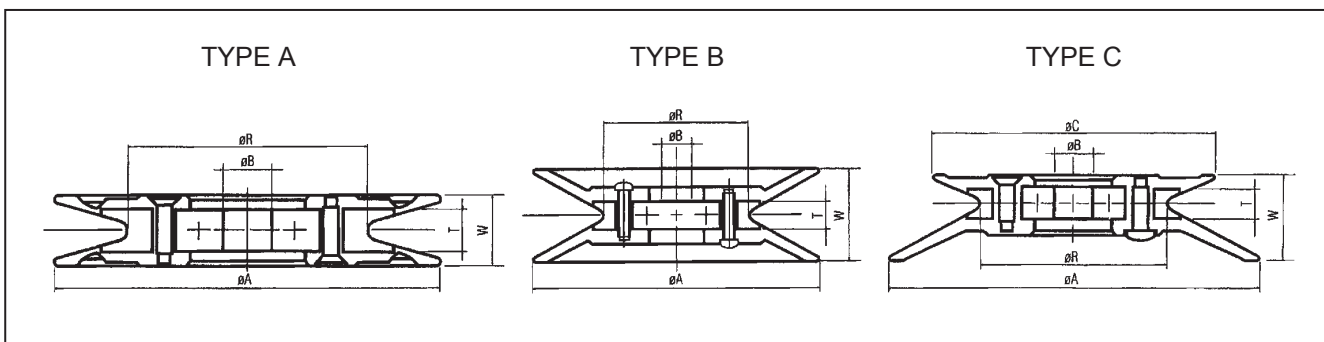


Part No	øA	øB	øR	W	T
CBR1V	8	1.5 or <u>2</u>	6	3	2.3
CBR2V	10	<u>2</u>	8	4	3
CBR3V	10.5	<u>2</u>	7	3.5	2.3
CBR4V	14	<u>3</u>	10	6	4
CBR5V	16.5	②, or <u>4</u>	13.5	7	4
CBR6V	17	<u>3</u>	13	12	7
CBR7V	20	②, <u>4</u> , 5 or 7	14	10	7
CBR8V	23	<u>3</u>	15	8	5.5
CBR9V	27	4, <u>5</u> or 6	15	11	8
CBR10V	27	4, <u>5</u> or 6	18.5	9.5	5.5
CBR11F	30	4, <u>5</u> or 8	22	10	5
CBR12F	30	<u>5</u>	20	24	10
CBR13V	30	<u>5</u>	15	11	9
CBR14V	40	4, <u>5</u> or 8	24	12	8
CBR15V	40	<u>8</u> or 10	27	24	18
CBR16F	50	<u>10</u>	40	16	10
CBR17F	50	<u>10</u>	40	24	18

②, = Special low torque bearing

Bearings (øB) underlined indicate standard sizes

CERAMIC BEARING ROLLERS



Part No	øA	øB	øC	øR	W	T
PCBR1A	20	<u>3</u>		15	4	3
PCBR2A	28.5	②, <u>4</u> or 5		20	6	4
PCBR3B	30	<u>3</u>		15	10	3
PCBR4C	30	<u>3</u>	20	15	7	3
PCBR5B	40	②, <u>4</u> or 5		20	15	4
PCBR6C	40	②, <u>4</u> or 5	28.5	20	10.5	4
PCBR7A	45	④, <u>5</u> , <u>6</u> , 7 or 8		30	10	6
PCBR8A	60	7 or <u>8</u>		40	12	6
PCBR9B	60	④, <u>5</u> , <u>6</u> , 7 or 8		30	20	6
PCBR10C	60	④, <u>5</u> , <u>6</u> , 7 or 8	45	30	15	6
PCBR11A	80	<u>10</u>		50	15	9
PCBR12B	80	<u>8</u>		40	25	6
PCBR13C	80	<u>8</u>	60	40	18.5	6
PCBR14B	100	<u>10</u>		50	30	9
PCBR15C	100	<u>10</u>	80	50	22.5	9

②, ④ = Special low torque bearing

Bearings (øB) underlined indicate standard sizes